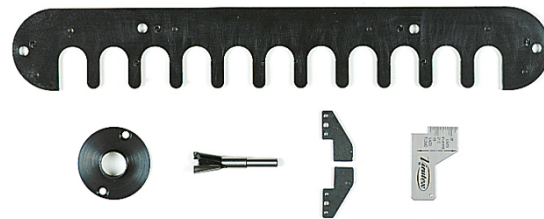


SET DOVETAIL JOINTS FOR VIRUTEX PL11 WITH ROUTER BIT - PAS 34MM

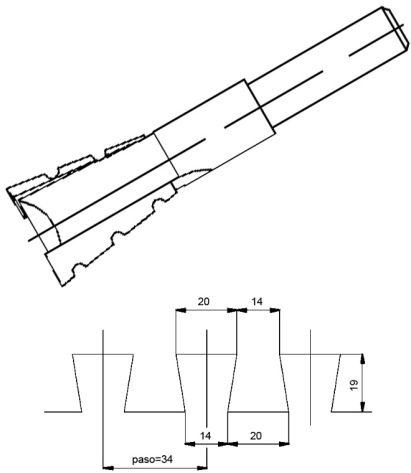


€109,50 (excl. VAT)

Convenient all in one set to make dovetail joints with the Virutex PL11. The set includes an interchangeable PVC mould with tooth spacing (pas) 34mm, an adapted guide ring Ø23mm and the correct dovetail bit Ø19mm. Use this set to make large dovetail joints (e.g. for furniture). Minimum thickness of the wood to be able to work correctly is 24mm.

SKU: VIR-PL11KIT34MM

GALERIJAFBEELDINGEN



Convenient all in one set to make dovetail joints with the Virutex PL11. The set includes an interchangeable PVC mould with tooth spacing (pas) 34mm, an adapted guide ring Ø23mm and the correct dovetail bit Ø19mm. Use this set to make large dovetail joints (e.g. for furniture). Minimum thickness of the wood to be able to work correctly is 24mm.

PRODUCT INFORMATION

- For large dovetail joints
- To use with the Virutex PL11 mould

DESCRIPTION

Convenient all in one set to make dovetail joints with the Virutex PL11. The set includes an interchangeable PVC mould with tooth spacing (pas) 34mm, an adapted guide ring Ø23mm and the correct dovetail bit Ø19mm. Use this set to make large dovetail joints (e.g. for furniture). Minimum thickness of the wood to be able to work correctly is 24mm.

No video available for this product!

DOWNLOADS

No download available.

ADDITIONAL INFORMATION

Weight	0,5 kg
---------------	--------