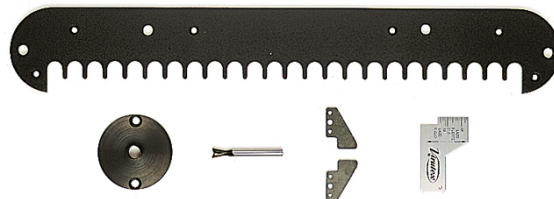


SET DOVETAIL JOINTS FOR VIRUTEX PL11 WITH ROUTER BIT - PAS 16MM

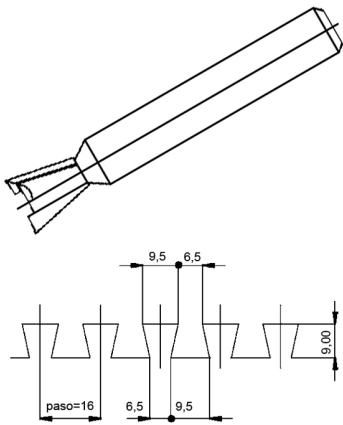


€62,70 (excl. VAT)

Convenient all in one set to make dovetail joints with the Virutex PL11. The set includes an interchangeable PVC mould with tooth spacing (pas) 16mm, an adapted guide ring Ø12mm and the correct dovetail bit Ø9,5mm. Use this set to make small dovetail joints (e.g. for jewellery boxes). Minimum thickness of the wood to be able to work correctly is 11mm.

SKU: VIR-PL11KIT16

GALERIJAFBEELDINGEN



Convenient all in one set to make dovetail joints with the Virutex PL11. The set includes an interchangeable PVC mould with tooth spacing (pas) 16mm, an adapted guide ring Ø12mm and the correct dovetail bit Ø9,5mm. Use this set to make small dovetail joints (e.g. for jewellery boxes). Minimum thickness of the wood to be able to work correctly is 11mm.

PRODUCT INFORMATION

- For small dovetail joints
- To use with the Virutex PL11 mould

DESCRIPTION

Convenient all in one set to make dovetail joints with the Virutex PL11. The set includes an interchangeable PVC mould with tooth spacing (pas) 16mm, an adapted guide ring Ø12mm and the correct dovetail bit Ø9,5mm. Use this set to make small dovetail joints (e.g. for jewellery boxes). Minimum thickness of the wood to be able to work correctly is 11mm.

No video available for this product!

DOWNLOADS

No download available.

ADDITIONAL INFORMATION

Weight

0,5 kg