

SILICONE SEAL TYPE FS1/FS3 - 100M WHITE




€168,38 - €170,82 (excl. VAT)

Insulating silicone seal for windows & doors in white colour. Excellent resistance at temperatures between -60 and 200°C. With this seal you will enjoy both good temperature and sound insulation. Essential for new constructions and easy to mill into existing constructions. Use the Virutex slotting machine RA17VG with the two-sided straight bit.

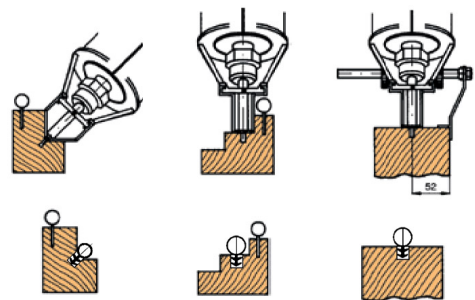
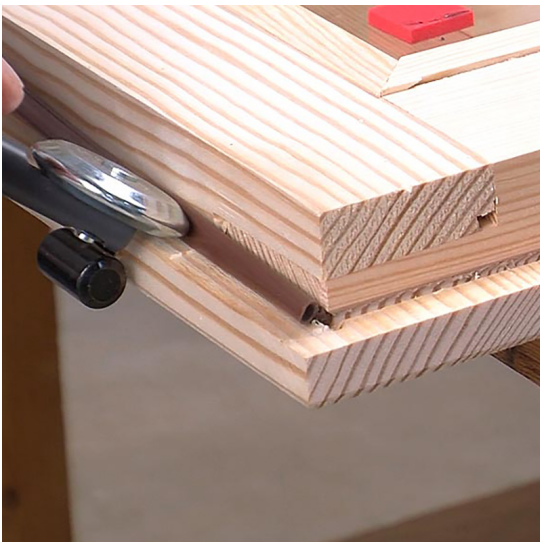
Available in diameter 6mm or 8mm.

SKU: N/A

VARIATIONS

Image	SKU	Description diameter	Price
 	VIR-RA17DDJOINTFS1/B	8mm	€170,82 (excl. VAT)
 	VIR-RA17DDJOINTFS3/B	6mm	€168,38 (excl. VAT)

GALERIJAFBEELDINGEN



Insulating silicone seal for windows & doors in white colour. Excellent resistance at temperatures between -60 and 200°C. With this seal you will enjoy both good temperature and sound insulation. Essential for new constructions and easy to mill into existing constructions. Use the Virutex slotting machine RA17VG with the two-sided straight bit.

Available in diameter 6mm or 8mm.

PRODUCT INFORMATION

- Silicone seal
 - White
- Insulation of windows & doors

DESCRIPTION

Insulating silicone seal for windows & doors in white colour. Excellent resistance at temperatures between -60 and 200°C. With this seal you will enjoy both good temperature and sound insulation. Essential for new constructions and easy to mill into existing constructions. Use the Virutex slotting machine RA17VG with the two-sided straight bit. Available in diameter 6mm or 8mm.

No video available for this product!

DOWNLOADS

No download available.

ADDITIONAL INFORMATION

Weight	2 kg
diameter	6mm, 8mm