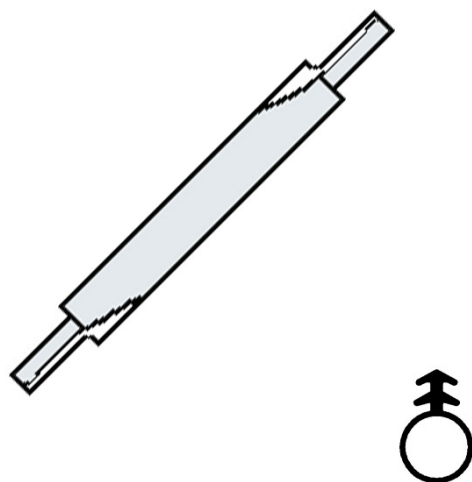


TWO-SIDED STRAIGHT BIT FOR VIRUTEX RA17VG

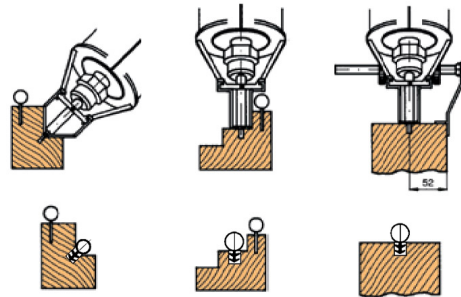


€55,79 (excl. VAT)

Two-sided straight bit to be used on the Virutex RA17VG slotting machine. This bit makes it possible to mill in silicone seals type FS1 or FS3.

SKU: VIR-RA17DSL

GALERIJAFBEELDINGEN



Two-sided straight bit to be used on the Virutex RA17VG slotting machine. This bit makes it possible to mill in silicone seals type FS1 or FS3.

PRODUCT INFORMATION

- For Virutex RA17VG
- For seals type FS1 or FS3

DESCRIPTION

Two-sided straight bit to be used on the Virutex RA17VG slotting machine. This bit makes it possible to mill in silicone seals type FS1 or FS3.

DOWNLOADS

No download available.

ADDITIONAL INFORMATION

Weight

0,05 kg

