

UNIVERSAL SAW BLADE Ø160MM - BORE 20MM





€49,90 - €58,30 (excl. VAT)

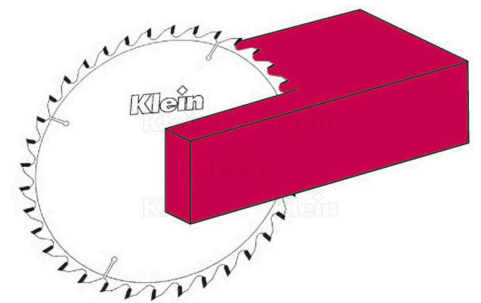
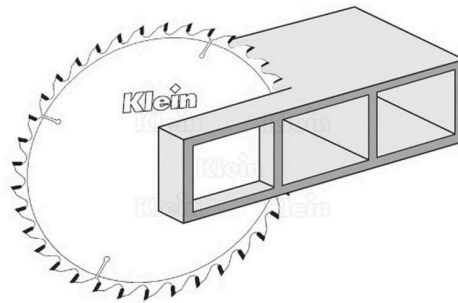
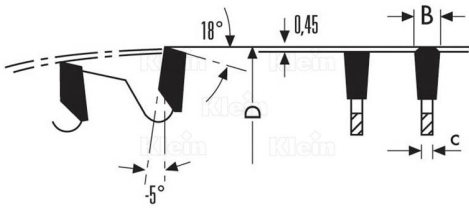
Universal saw blade with FZ/TR triple chip teeth suited for the cutting of hollow aluminium, aluminium panels, laminated materials, PVC, wood for construction with metal parts and solid surface materials such as Corian, Hi-Macs or Kerrock. Make sure to use the right amount of teeth to achieve optimal results of your project. A low number of teeth is suited for fast-paced and rough sawing. A high number of teeth calls for a lower operating speed but guarantees a clean cut. Available with different number of teeth.

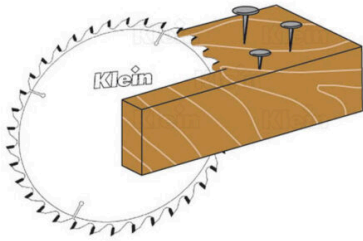
SKU: N/A

VARIATIONS

Image	SKU	Description	Number of teeth	Price
	KL-AL16005620		56	€58,30 (excl. VAT)
	KL-AL16002420		40	€49,90 (excl. VAT)

GALERIJAFBEELDINGEN





Universal saw blade with FZ/TR triple chip teeth suited for the cutting of hollow aluminium, aluminium panels, laminated materials, PVC, wood for construction with metal parts and solid surface materials such as Corian, Hi-Macs or Kerrock Make sure to use the right amount of teeth to achieve optimal results of your project. A low number of teeth is suited for fast-paced and rough sawing. A high number of teeth calls for a lower operating speed but guarantees a clean cut. Available with different number of teeth.

PRODUCT INFORMATION

- Fine cut HW sawblade
- FZ/TR triple chip teeth
- For hollow aluminium and PVC
- For wood for construction with small metal parts or concrete
 - For solid surface materials (Corian, Hi-Macs, Kerrock,...)
 - 5° negative hook angle

DESCRIPTION

Universal saw blade with FZ/TR triple chip teeth suited for the cutting of hollow aluminium, aluminium panels, laminated materials, PVC, wood for construction with metal parts and solid surface materials such as Corian, Hi-Macs or Kerrock Make sure to use the right amount of teeth to achieve optimal results of your project. A low number of teeth is suited for fast-paced and rough sawing. A high number of teeth calls for a lower operating speed but guarantees a clean cut. Available with different number of teeth.

No video available for this product!

DOWNLOADS

No download available.

ADDITIONAL INFORMATION

Weight	1 kg
Diameter sawblade	160mm
Shaft diameter	20mm
Thickness teeth	2,6mm
Thickness Sawblade	1,6mm
Number of teeth	40, 56